

# PICKMAN EQUIPMENT

## ***MAMMUT T3000 3 Tonne Telescopic Wheel Loader***



### **COMES WITH**

**GP Bucket  
4 In Bucket  
Pallet Fork  
Standard Hydraulic Euro Quick Hitch**

### **FEATURES:**

**3000 kg Capacity  
7500 kg Operating Weight  
Genuine CUMMINS 125HP Diesel Engine  
Cummins 2 Years Parts & Labour Engine  
Warranty  
2 Speed Electronic Powershift  
Boom Suspension  
Standard Hydraulic Euro Quick Hitch  
Pilot Control + 3rd Function  
Standard JIC Fittings  
Certified ROPS FOPS Cabin with A/C, Radio,  
Camera & Air Ride Seat  
6 Meter Reach, 5.2 Meter Lifting Height  
Synchronized Extraction and Lifting System**

## **WHY CHOOSE PICKMAN EQUIPMENT?**

- Machines designed, tested & built for Australian conditions
- excellent Australia-wide parts + service backup
- 12 Months / 2000 hours full Parts & Labour warranty, Australia-wide

**PICKMAN EQUIPMENT Pty. Ltd.**

**5-7 Luisa Avenue, Dandenong South,  
VICTORIA 3175**

**P:** (03) 8774 1001

**E:** [sales@pickman.com.au](mailto:sales@pickman.com.au)

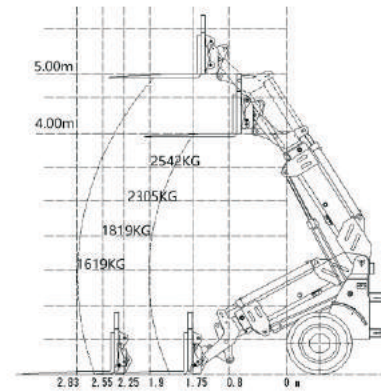
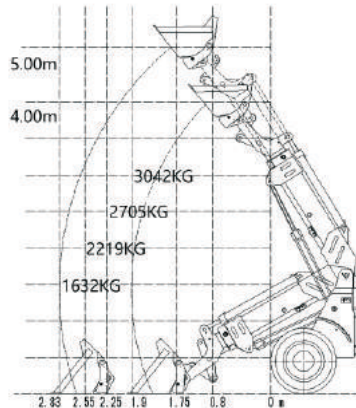
**W:** [www.pickman.com.au](http://www.pickman.com.au)

## FEATURES



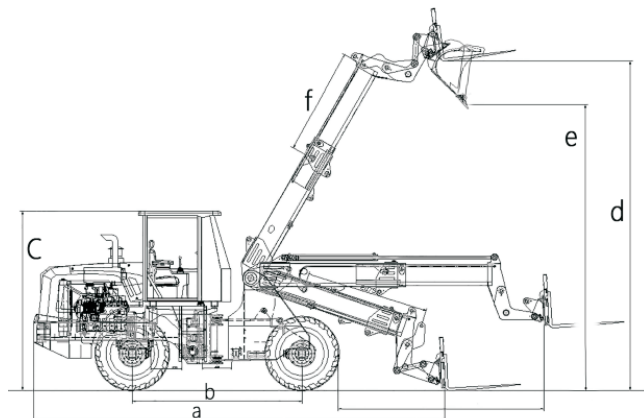
## PERFORMANCE

**Loading Capacity:** 3000kg,  
**Operating weight:** 7500kg  
**Engine:** Genuine CUMMINS 4BTA3.9-C125  
**Rated Output:** 125HP  
**Number Of Cylinders:** Four  
**Gearbox:** 4 Speed gearbox  
**2 Speed Electronic Power Shift**  
**Drive Train:** Constant Four Wheel Drive  
**Dumping Height:** 4.4 Meter  
**Lifting Height:** 5 Meter  
**Tyre Size:** 17.5-25



## SPECIFICATIONS

<b>a</b>	<b>Total Length</b>	<b>6000 mm</b>
<b>b</b>	<b>Wheel base</b>	<b>2678 mm</b>
<b>c</b>	<b>Total Height</b>	<b>3000 mm</b>
<b>d</b>	<b>Lifting Height</b>	<b>5200 mm</b>
<b>e</b>	<b>Dumping Height</b>	<b>4500 mm</b>
<b>f</b>	<b>Telescope Length</b>	<b>1168 mm</b>
<b>g</b>	<b>Overall Width</b>	<b>2350mm</b>
	<b>Operating Weight</b>	<b>7500KG</b>
	<b>Tipping Load Straight</b>	<b>3000KG</b>
	<b>Turning Radius(40° )</b>	<b>4750mm</b>



**PICKMAN EQUIPMENT PTY LTD**

**YOUR ROUGH TERRAIN MATERIAL HANDLING SPECIALIST**

PICKMAN EQUIPMENT Pty. Ltd.

5-7 Luisa Avenue, Dandenong South,

VICTORIA 3175

**P:** (03) 8774 1001

**E:** sales@pickman.com.au

**W:** www.pickman.com.au