

PICKMAN EQUIPMENT

Summit H35-2 ***3500KG CAPACITY*** ***4WD ROUGH TERRAIN FORKLIFT***

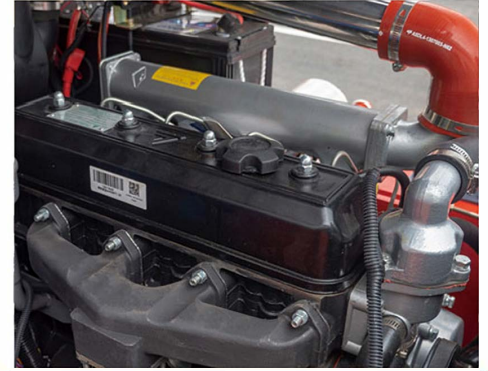


• FEATURES

- **Hydraulic Fork Positioner & Side-shift**
- **Front locking differential**
- **4500mm lifting height**
- **3500kg lifting capacity**
- **2200mm overall height**
- **3-stage Full free container mast**
- **Genuine Yanmar Diesel Engine**
- **Full road light package**
- **Australia Standard OPS**



■ FEATURES



Heavy Duty Axles & Gearbox
High Ground Clearance
Front Locking Differential
Big Pneumatic Tyres

Excellent Vision
Full Free Container Mast
Extra Forth Function
Adjustable Suspension Seat

Full Road Light
Genuine Yanmar Engine
Easy Access Engine Bay
Exceptional Serviceability

■ PERFORMANCE

Lifting Capacity:

Engine:

Rated Output:

Number Of Cylinders:

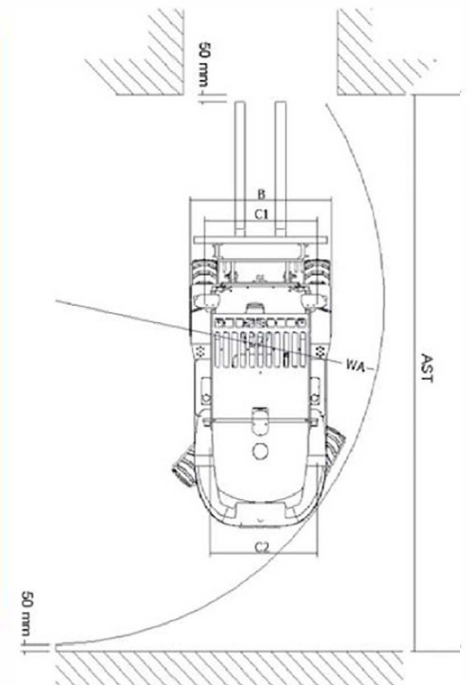
Gearbox:

Drive Train:

Mast:

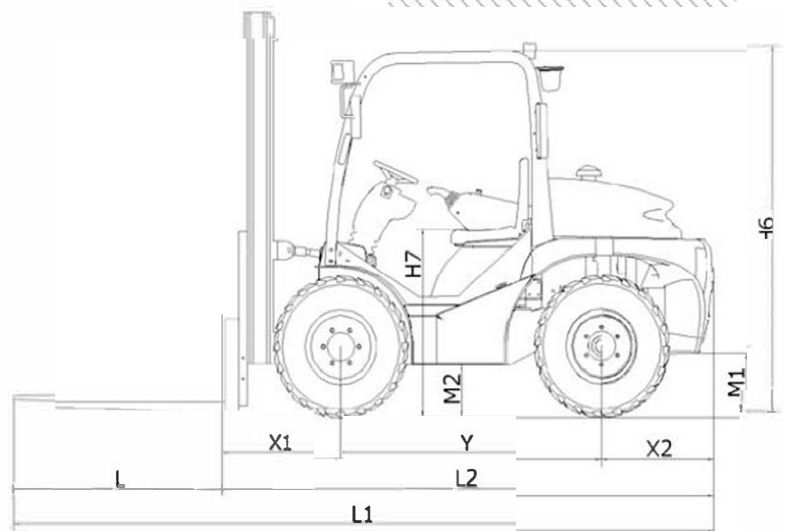
Lifting Height:

Tyre Size:



■ SPECIFICATIONS

L1	Total Length	
L2	Length To Fork Carriage	
L	Forks Length	
M1/M2	Ground Clearance	
H6	Total Height	
Y	Distance Between Axles	
X	Rear Overhang	
D	Overall Width	
WA	Turning Radius 2WD	
WA	Turning Radius 4WD	
	Total Unloaded Weight	



PICKMAN EQUIPMENT Pty. Ltd.

5-7 Luisa Avenue, Dandenong South,

VICTORIA 3175

P: (03) 8774 1001

E: sales@pickman.com.au

W: www.pickman.com.au